

MP840 Toxic Gas Transmitters



The VOXI **EC** MP840 is a point-type toxic gas transmitter designed with smart sensor technology and an integral flameproof enclosure for fixed applications. The versatile platform offers over 10 chemical sensor options, auto-zeroing and offline calibration. Three-wire 4-20 mA analog and RS485 digital signal outputs are standard, while wireless output is optional. Various applications include oil & gas, petrochemical, chemical, metallurgical, pharmaceutical, semiconductor, environmental monitoring, and other industry facilities.

Features, Functions and Benefits

- Supporting >10 smart modules with sensor identification and manufacturing data
- Sensor diagnosis, temperature compensation and auto-zeroing
- LCD with backlight color varying with alarm condition
- Calibration due date
- 3 wires for 4-20 mA and RS485 ModBus output
- Infrared remote programmer for settings, calibrations and adjustments
- Error codes for easy troubleshooting
- Recoverable factory settings
- IP67 rating
- IECEx certification
- Optional ISM 915MHz modem for wireless connectivity at no subscription fee (check availability)

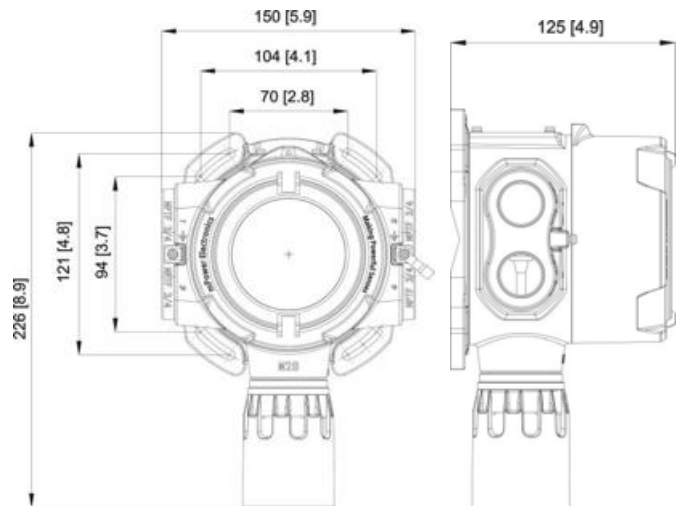
Detector Specifications

Size	8.9 x 5.9 x 4.9 in (226 x 150 x 125 mm)
Weight	5.7 lbs. (2.6 kg)
Sensors	Electrochemical sensor modules
Calibration	Two-point calibration (zero & span)
Response Time	30 to 120s (t ₉₀ varies with sensor type)
Temperature	-40° to +131°F (-40° to +55°C) -40° to +158°F (-40° to +70°C) intermittent
Humidity	10% to 95% Relative Humidity (non-condensing)
Pressure	86 to 106 kPa (0.85 to 1.05 atm)
Power	<1W; 10-30 VDC supply
Sampling	Diffusion
Display	4-digit segmented LCD
Configuration	Via remote infrared programmer
Outputs	Analog: 4-20 mA (3 wires) Digital: RS-485 ModBus 3 Relays Wireless ISM 915MHz (optional) 1 mile line of sight
Alarms	LCD & LED flashing, external strobe and horn (optional)
Housing	Explosion-proof aluminum alloy
Housing Entries	4 Conduit entries 3/4" NPT 1 Port M28x1 fitting
Installation	Pipe bolt or wall mount
IP Rating	IP-67
EMI/RFI	Compliant with EMC Directive 2014/30/EU
Safety Certifications	IECEX Ex db ia IIC T6 Gb Ex ia tb IIIC T80°C Db CNEX Ex d IIC T6
Installation	Pipe holding, wall mount
Warranty	2 Years on CO & H ₂ S sensors, 1 year on others

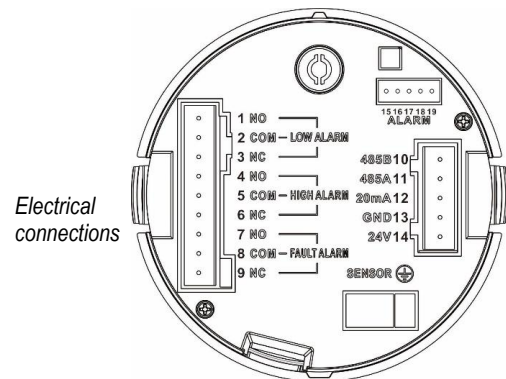
Sensor Options

Sensor	Range	Resolution
O₂ (Oxygen) Lead Free	0-30%Vol	0.1%Vol
CO (Carbon Monoxide)	0-500 ppm	1 ppm
	0-1000 ppm	1 ppm
	0-2000 ppm	1 ppm
H₂S (Hydrogen Sulfide)	0-200 ppm	0.1 ppm
	0-1000 ppm	1 ppm
SO₂ (Sulfur Dioxide)	0-20 ppm	0.1 ppm
H₂ (Hydrogen)	0-1000 ppm	1 ppm
HCN (Hydrogen Cyanide)	0-100 ppm	0.1 ppm
NH₃ (Ammonia)	0-100 ppm	1 ppm
	0-1000 ppm	1 ppm
CO (H₂-resistant) *	0-1000 ppm	1 ppm
NO (Nitric Oxide) *	0-250 ppm	1 ppm
NO₂ (Nitrogen Dioxide) *	0-20 ppm	0.1 ppm
Cl₂ (Chlorine) *	0-50 ppm	0.1 ppm
PH₃ (Phosphine) *	0-20 ppm	0.01 ppm
	0-1000 ppm	1 ppm
ETO (Ethylene Oxide) *	0-100 ppm	1 ppm

* Check availability



Dimensions in mm [inches]



Electrical connections

Standard

- Gas Transmitter with Sensor installed
- Rain Shield & Calibration Cap
- Infrared Remote Programmer
- Quick Start Guide
- Calibration Certificate

Optional

- Mounting Bracket
- Strobe and Horn with 3/4" NPT Fitting

Distributed By:

* Due to ongoing research and product improvement, specifications are subject to change without notice *