

MP820 Combustible Gas Transmitters



The VOXI *LEL* MP820 is a point-type combustible gas transmitter designed modularly with smart sensor technology and an integral flameproof enclosure for fixed applications. The versatile platform offers catalytic combustible-gas sensors with auto-zeroing and offline calibration. Three-wire 4-20 mA analog and RS485 digital signal outputs are standard, while wireless output is optional. Various applications include oil & gas, petrochemical, chemical, metallurgical, pharmaceutical, semiconductor, environmental monitoring, and other industry facilities.

Features, Functions and Benefits

- Supporting catalytic combustion (LEL) sensor modules with sensor identification and manufacturing data
- Sensor diagnosis, temperature compensation and auto-zeroing
- LCD with backlight color varying according to alarm status
- Calibration due date
- 3 wires for 4-20 mA and RS485 ModBus output
- Infrared remote programmer for settings, calibrations and adjustments
- Error codes for easy troubleshooting
- Recoverable factory settings
- IP67 rating
- IECEx certification
- Optional ISM 915MHz modem for wireless connectivity at no subscription fee (check availability)

Detector Specifications

Size	8.9 x 5.9 x 4.9 in (226 x 150 x 125 mm)
Weight	5.7 lbs. (2.6 kg)
Sensors	Catalytic combustion (LEL) sensor modules
Calibration	Two-point calibration (zero & span)
Response Time	15s t90
Temperature	-40° to +158°F (-40° to +70°C)
Humidity	10% to 95% Relative Humidity (non-condensing)
Pressure	86 to 106 kPa (0.85 to 1.05 atm)
Power	<5W; 10-30 VDC supply
Sampling	Diffusion
Display	4-digit segmented LCD
Configuration	Via remote infrared programmer
Outputs	Analog: 4-20 mA (3 wires) Digital: RS-485, ModBus 3 Relays Wireless ISM 915MHz (optional) 1 mile line of sight
Alarms	LCD & LED flashing, relays for external alarm devices
Housing	Explosion-proof aluminum alloy
Housing Entries	4 Conduit entries 3/4" NPT 1 Port M28x1 fitting
Installation	Pipe bolt or wall mount
IP Rating	IP-67
EMI/RFI	Compliant with EMC Directive 2014/30/EU
Safety Certifications	IECEX Ex db IIC T6 Gb (non-Wireless) Ex tb IIIC T80°C Db (non-Wireless) Ex db ia IIC T6 Gb (Wireless) Ex ia tb IIIC T80°C Db (Wireless) CNEX Ex d IIC T6
Installation	Pipe holding, wall mount
Warranty	2 Years

Standard

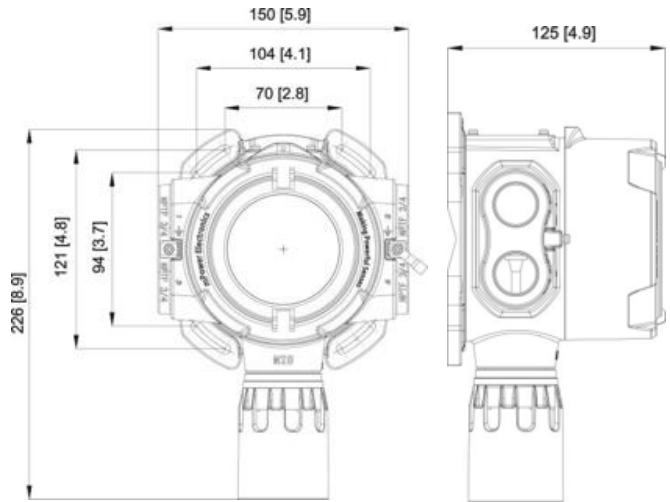
- Gas Transmitter with Sensor installed
- Rain Shield & Calibration Cap
- Infrared Remote Programmer
- Quick Start Guide
- Calibration Certificate

Optional

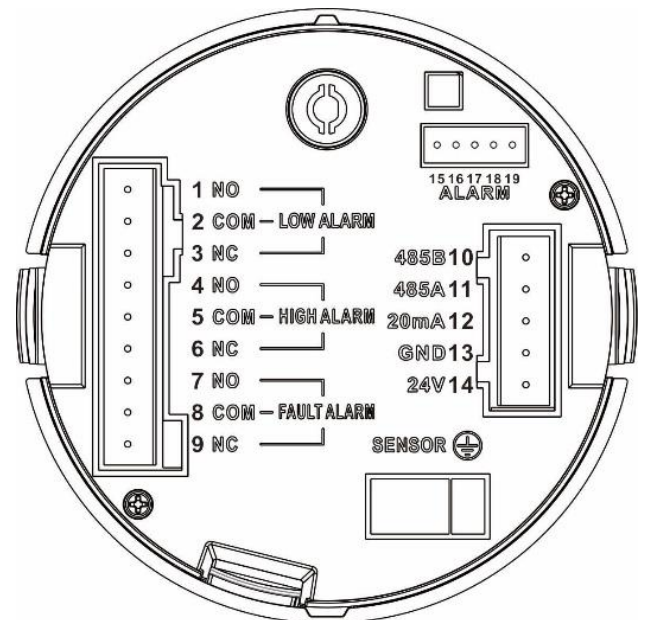
- ISM 915 MHz Modem with Antenna
- Mounting Bracket

Sensor Options

Sensor	Range	Resolution
LEL (Combustibles)	0-100%LEL	1%LEL
LEL-F (Combustibles with Filters)	0-100%LEL	1%LEL



Dimensions in mm [inches]



Power and output connections

Distributed By: _____

* Due to ongoing research and product improvement, specifications are subject to change without notice *